

Features

Excellent low light performance

SolarPeak PV assures all its solar panels excellent performance under low light environment.

Withstand high wind and snow load

All SP-PV modules can withstand high snow load up to 5400Pa and wind loads up to 2400Pa.

Power max packaging

The performance of the entire array is always determined by the lowest module. SP-PV's "power Max Packaging" service helps our customers to maximize the system's power output by reducing mismatch losses.

Individual test report

Our modules are tested independently; the individual test report reinsures the quality and reliability of our products

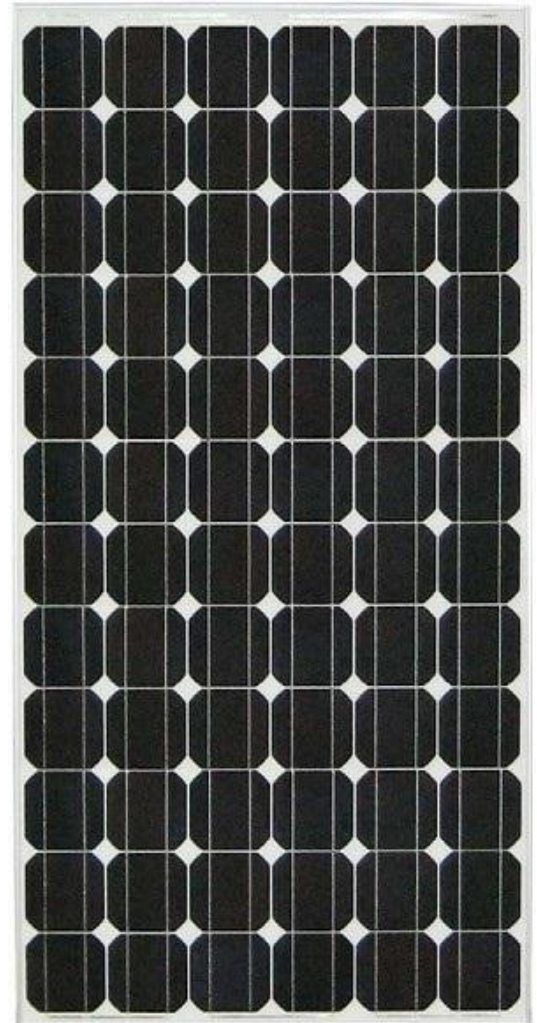
10/10/25 limited Warranties

10 year material and workmanship warranty
10 year 90% performance warranty
25 year 80% performance warranty

Certificates

SolarPeak PV modules are approved by CE, TUV & CEC, and standard IEC 61215 & 61730. also certifications by ISO9001:2008, ISO 14001:2004.

SP 195-72M-A Monocrystalline PV Module



SolarPeak International Ltd

53 Quarantine road, Nelson
South Island, New Zealand

Ph: 006435475819 Fx:006435475894

Skype: solarpeak Email: info@solarpeak.com



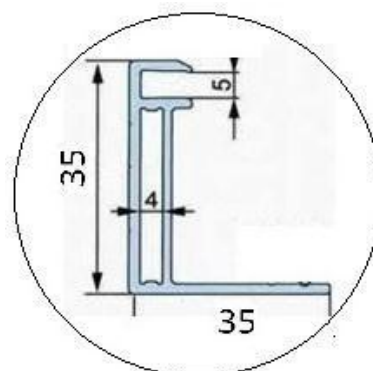
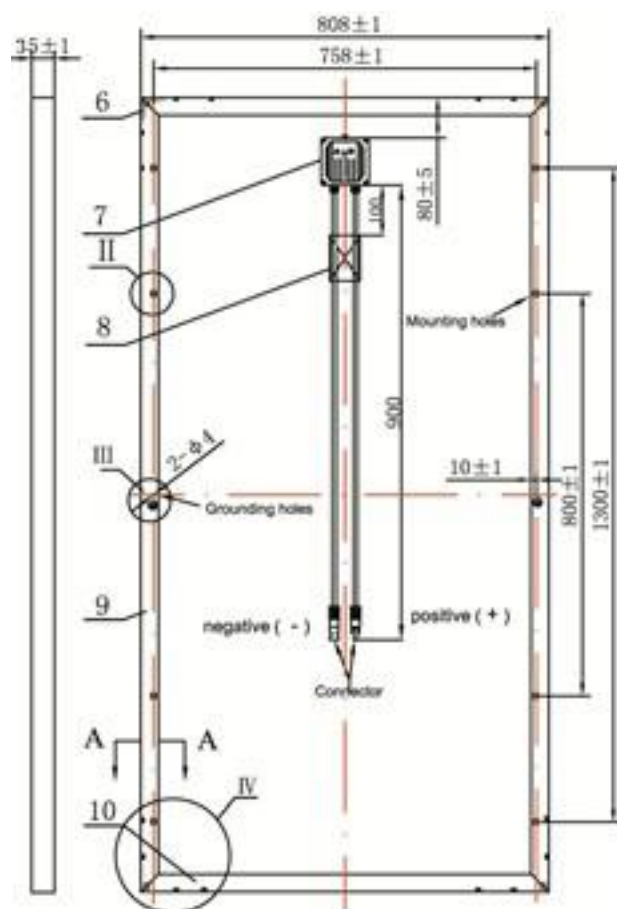
Electrical Characteristics

Model	SP195-72M-A
Optimum Operating Voltage (Vmp)	36.5V
Optimum Operating Current (Imp)	5.35A
Open-Circuit Voltage (Voc)	45.8V
Short-Circuit Current (Isc)	5.52A
Maximum Power (Pmax)	195W
Module Efficiency	15.27%
Cell Efficiency	18.02%

STC: 1000W/m² irradiance, 25°C module temperature, AM 1.5g

Mechanical Characteristics

Encapsulation	TPT/EVA/Cells/EVA/Glass
Front Glass	3.2 mm tempered glass
Cell Type	Monocrystalline
Cell Size	125*125mm (5 inches)
No. of Cell	72 (6*12) pcs
Diodes	3 by-pass
Frame	Anodized aluminum alloy
Junction Box	IP65
Cable	900mm/4mm ²
Connector	MC4/IP67
Dimension	1580*808*35mm
Weight	15kg
Power Tolerance	+/- 3%
Maximum System Voltage	1000V DC (IEC)
Maximum Series Fuse Rating	15A
Operating Module Temperature	-40°C to +85°C
Storage Module Temperature	-40°C to +85°C



Temperature Characteristics

Nominal Operating Cell Temperature (NOCT)	45+/-2°C
Temperature Coefficient of Pmax	-0.45%/°C
Temperature Coefficient of Voc	-0.33%/°C
Temperature Coefficient of Isc	0.05%/°C

Packaging configuration

Pieces per pallet	36
Pallet per 40' HQ	28
Pieces per 40' HQ	1008

The specifications in this datasheet are only for reference, and are subject to change without prior notice.